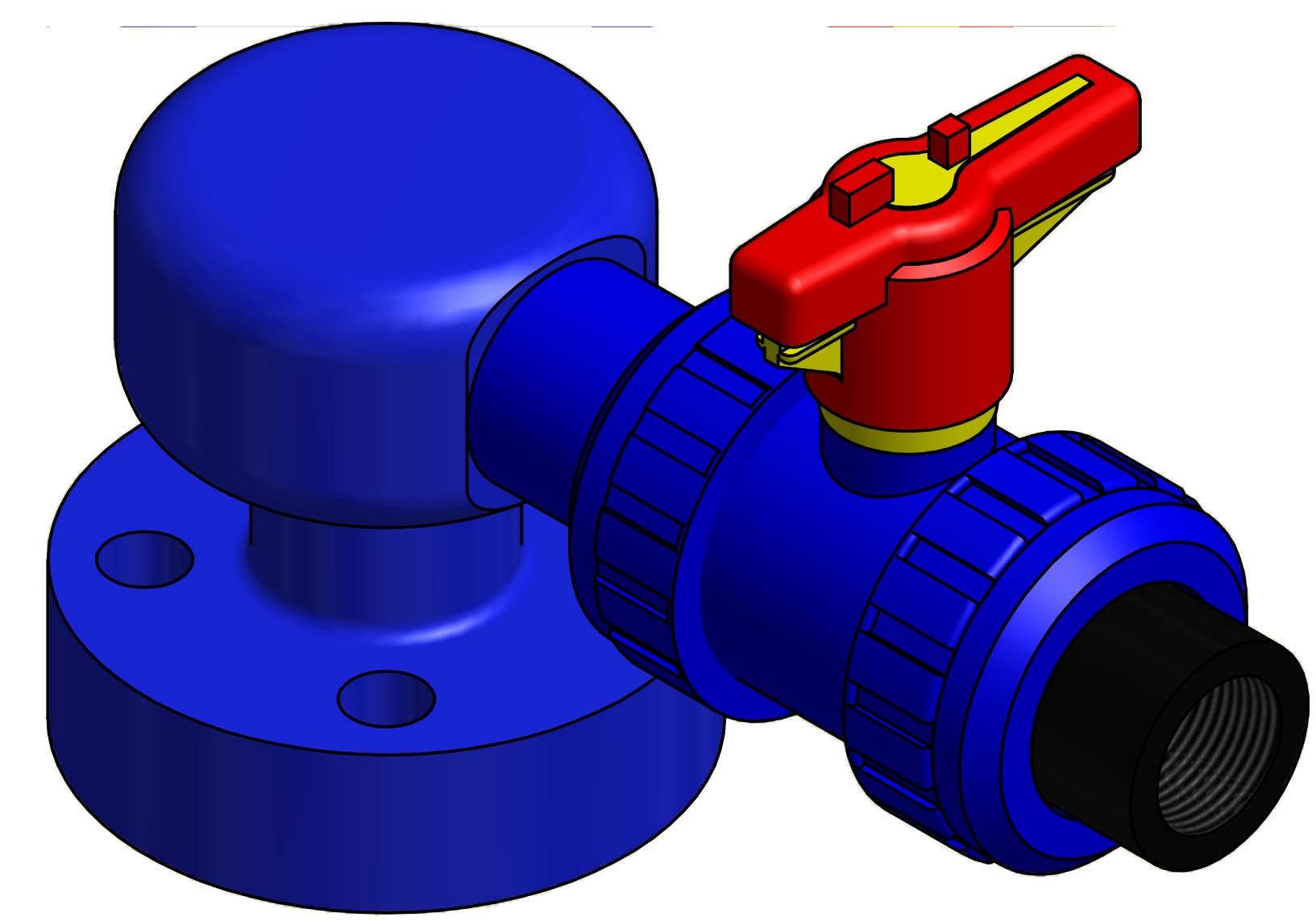
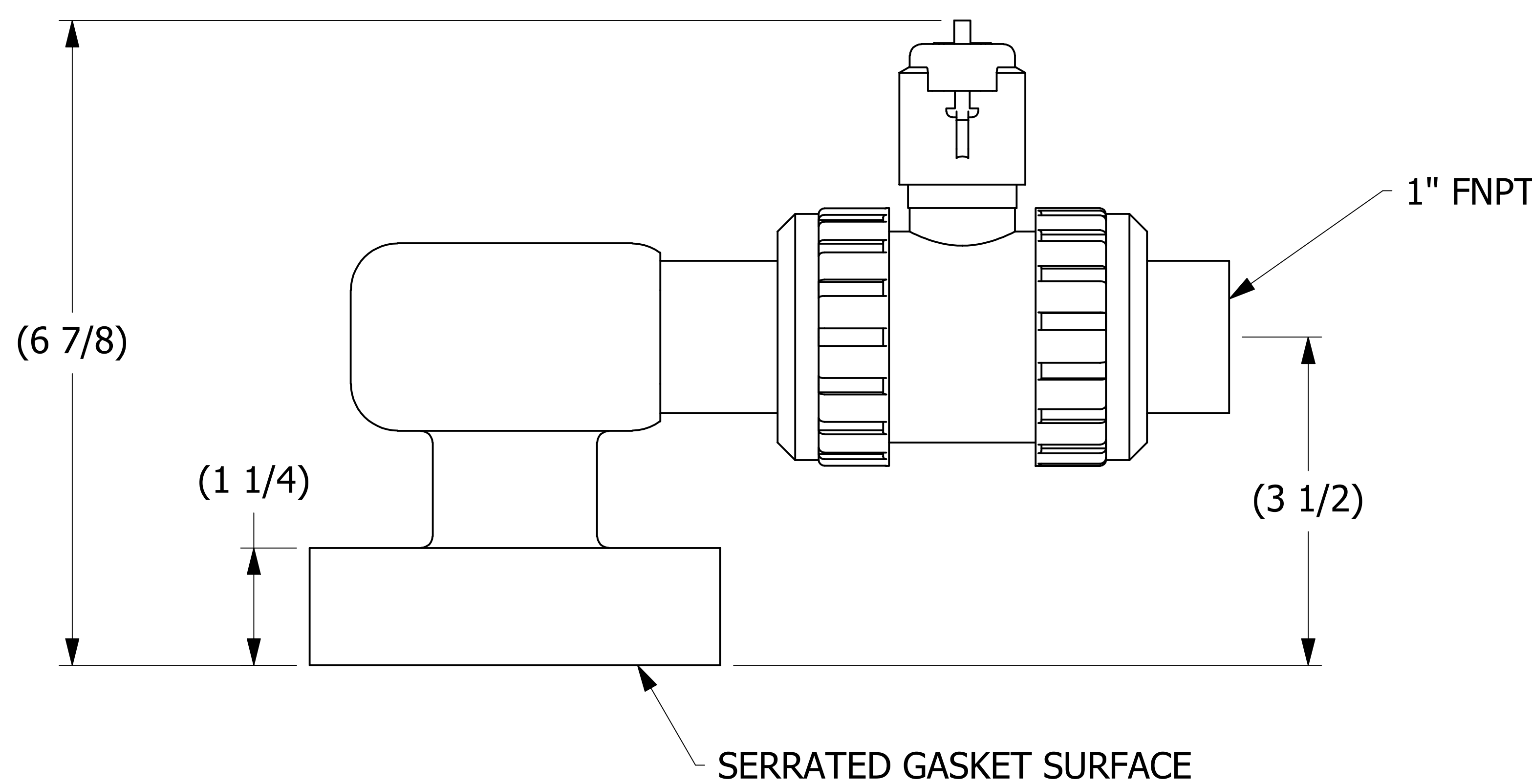
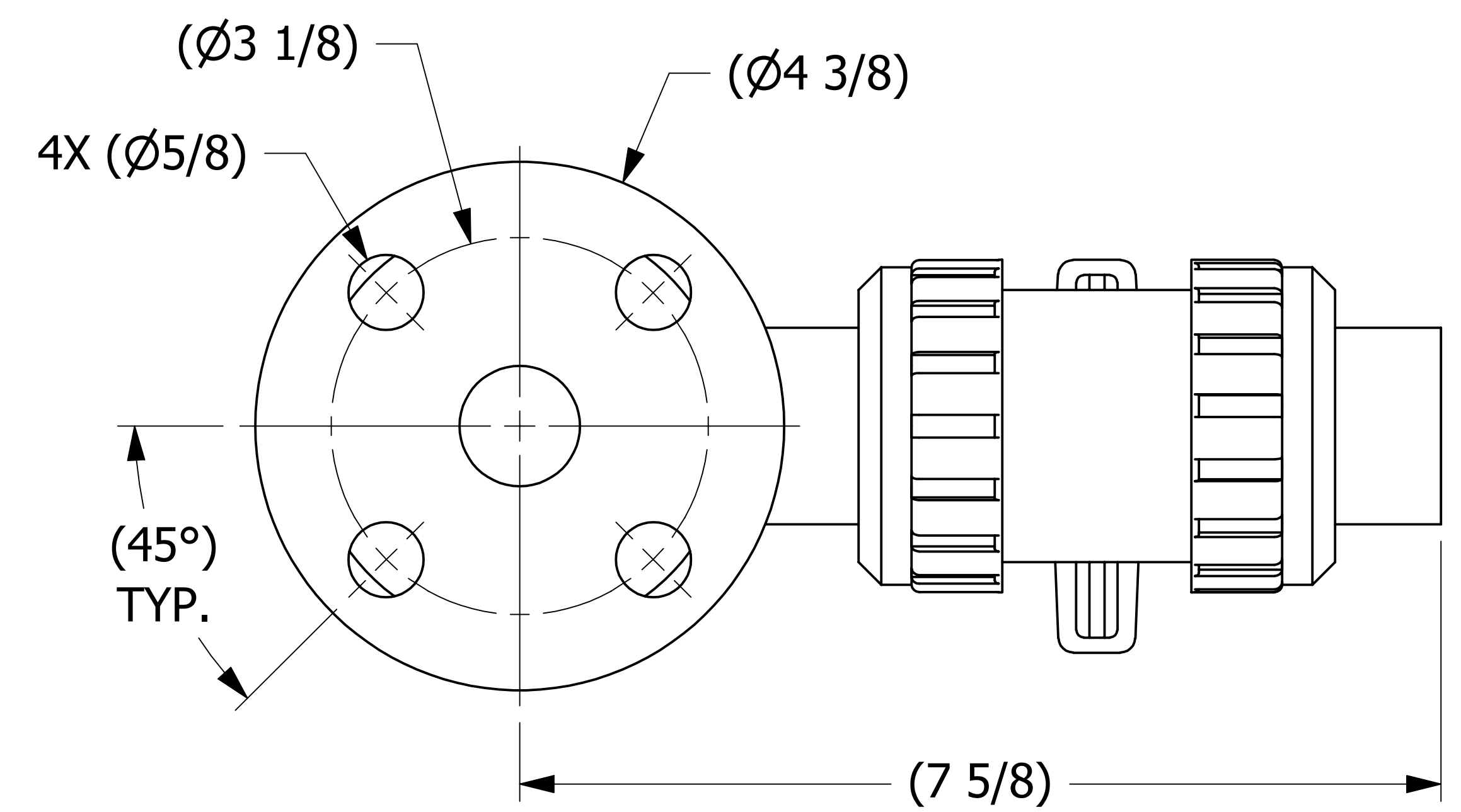


SALES DRAWING

SALES DRAWING



ISOMETRIC VIEW



UNLESS OTHERWISE SPECIFIED
DIMENSIONAL TOLERANCES

FRACTIONAL: ±1/16

X.XX: ±.03

X.XXX: ±.015

ANGULAR: ±1°

DEBURR ALL SHARP EDGES.
ALL MACHINED SURFACES TO
HAVE A 125 RMS FINISH
UNLESS NOTED OTHERWISE.

THIRD ANGLE PROJECTION

DRAWN BY: TAK

CHECKED BY: EJF

PROTOTYPE BY: TAK

PROTOTYPE DATE: 9/28/2015

APPROVED FOR PRODUCTION BY: TAK

PRODUCTION DATE: 11/2/2015

A	TAK	11-2-15	RELEASED FOR PRODUCTION
REV	BY	DATE	DESCRIPTION
PART NAME: AIR VALVE ASSEMBLY 1"			
MATERIAL: SALCO PE/PE		PROJECT #: H150622	SHEET #: 1 OF 1
DRAWING #: D42417		PART #: HSAVAPE42417	
		SCALE: 1:1	

THIS PRINT, PROPERTY OF SALCO PRODUCTS INC. CONTAINS PROPRIETARY INFORMATION AND MUST NOT BE COPIED, REPRODUCED, OR USED DETRIMENTALLY TO OUR INTEREST.